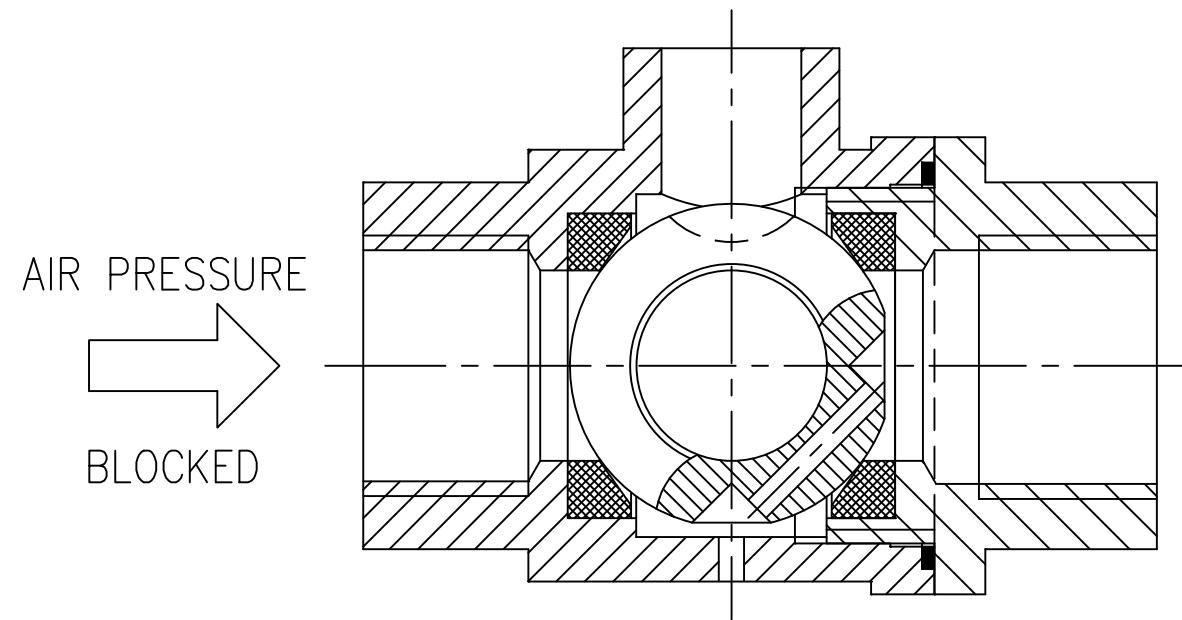
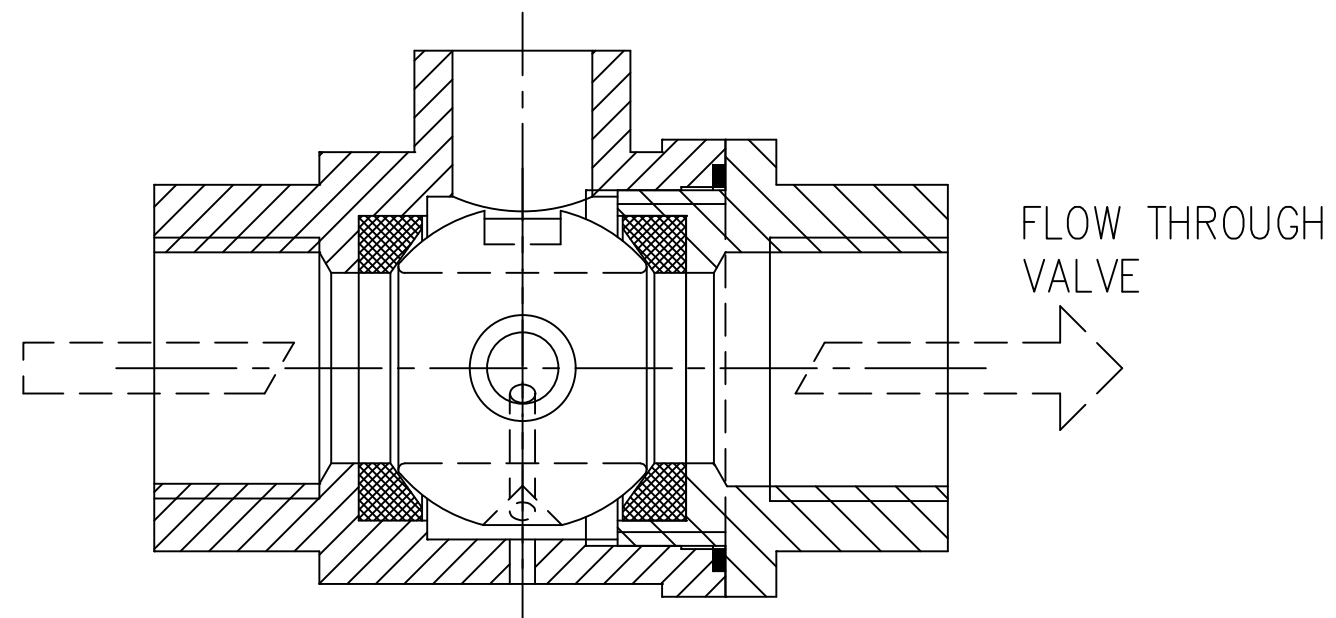


BALL IN CLOSED POSITION



VENTING TRAPPED  
DOWNSTREAM AIR  
VOLUME TO  
ATMOSPHERE

BALL IN OPEN POSITION



FLOW THROUGH  
VALVE

NO LEAKAGE